

340 Series

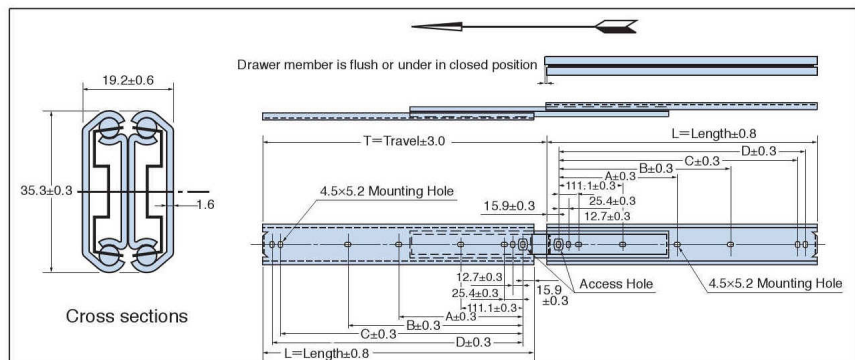
RoHS Compliant

- 3 Member
- 0.88" Over travel

Material / Stainless steel (Custom made)

Specification

- Material / SPCC
- Finish / Electro zinc plate with clear
- Slide space / 19.2mm, Height / 35.3mm
- Load rating / 91~106lbs. (41~48kg)
- Mounting hole / 4.5×5.2, 5.2×4.5
- Common in L / R



PART No.	Length L	Travel T	340 Series Mounting holes (mm)							Slide weight (kg/pc)	Number in a box	Load rating lbs. (kg)/pair
			A	B	C	D	E	F	G			
340-12	304.8 (12")	327.2 (12.88")	-	149.2	260.4	273.1	-	-	-	0.66	30	97(44)
340-14	355.6 (14")	378.0 (14.88")	-	200.0	311.2	323.9	-	-	-	0.77	30	102(46)
340-16	406.4 (16")	428.8 (16.88")	-	250.8	362.0	374.7	-	-	-	0.88	20	104(47)
340-18	457.2 (18")	479.6 (18.88")	212.7	301.6	412.8	425.5	-	-	-	1.05	20	106(48)
340-20	508.0 (20")	530.4 (20.88")	238.1	352.4	463.6	476.3	-	-	-	1.10	18	106(48)
340-22	558.8 (22")	581.2 (22.88")	263.5	403.2	514.4	527.1	-	-	-	1.22	16	104(47)
340-24	609.6 (24")	632.0 (24.88")	288.9	454.0	565.2	577.9	-	-	-	1.33	12	95(43)
340-26	660.4 (26")	682.8 (26.88")	314.3	504.8	616.0	628.7	-	-	-	1.44	12	93(42)
340-28	711.2 (28")	733.6 (28.88")	339.7	555.6	666.8	679.5	-	-	-	1.55	12	91(41)

340QDA Series

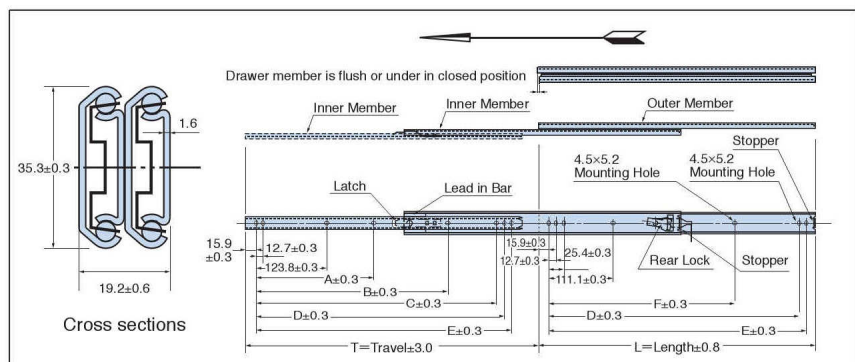
RoHS Compliant

- 3 Member
- 0.88" Over travel
- Front disconnect
- Detent open

Material / Stainless steel (Custom made)

Specification

- Material / SPCC
- Finish / Electro zinc plate with clear
- Slide space / 19.2mm, Height / 35.3mm
- Load rating / 71~95lbs. (32~43kg)
- Mounting hole / 4.5×5.2, 5.2×4.5
- Common in L / R



PART No.	Length L	Travel T	340QDA Series Mounting holes (mm)							Slide weight (kg/pc)	Number in a box	Load rating lbs. (kg)/pair
			A	B	C	D	E	F	G			
340QDA-12	304.8 (12")	327.2 (12.88")	-	-	-	260.4	273.1	-	-	0.66	30	71(32)
340QDA-14	355.6 (14")	378.0 (14.88")	-	-	298.4	311.2	323.9	-	-	0.77	30	79(36)
340QDA-16	406.4 (16")	428.8 (16.88")	-	-	349.2	362.0	374.7	250.8	-	0.88	22	88(40)
340QDA-18	457.2 (18")	479.6 (18.88")	212.7	-	400.0	412.8	425.5	301.6	-	0.99	20	95(43)
340QDA-20	508.0 (20")	530.4 (20.88")	238.1	365.1	450.8	463.7	476.3	352.4	-	1.10	18	95(43)
340QDA-22	558.8 (22")	581.2 (22.88")	263.5	415.9	501.6	514.4	527.1	403.2	-	1.22	16	93(42)
340QDA-24	609.6 (24")	632.0 (24.88")	288.9	466.7	552.4	565.2	577.9	454.0	-	1.33	12	86(39)
340QDA-26	660.4 (26")	682.8 (26.88")	314.3	517.5	603.2	616.0	628.7	504.8	-	1.44	12	84(38)
340QDA-28	711.2 (28")	733.6 (28.88")	339.7	568.3	654.0	666.8	679.5	555.6	-	1.55	12	82(37)

330LMM Series

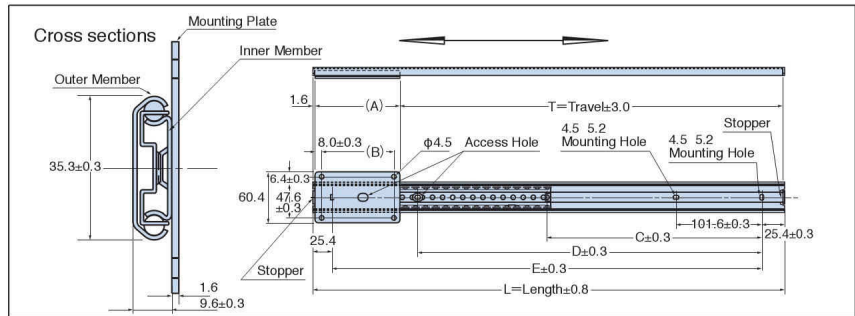
RoHS Compliant

- 2 Member
- Linear Motion

Material / Stainless steel (Custom made)

Specification

- Material / SPCC
- Finish / Electro zinc plate with clear
- Slide space / 11.2mm, Height / 60.4mm
- Mounting hole / 4.5 5.2, 5.2 4.5
- Common in L / R



PART No.	Length L	330LLM Series Mounting holes (mm)									Slide weight (kg/pc)
		A						C	D	E	
		76.2	101.6	127.0	152.4	177.8	203.2				
		B									
		60.2	85.6	111.0	136.4	161.8	187.2				
		Travel T									
330LMM-12	304.8 (12")	225.4	200.0	174.6	149.2	123.8	98.4	-	152.4	254.0	0.43
330LMM-14	355.6 (14")	276.2	250.8	225.4	200.0	174.6	149.2	-	203.2	304.8	0.46
330LMM-16	406.4 (16")	327.0	301.6	276.2	250.8	225.4	200.0	-	254.0	355.6	0.49
330LMM-18	457.2 (18")	377.8	352.4	327.0	301.6	276.2	250.8	203.2	304.8	406.4	0.52
330LMM-20	508.0 (20")	428.6	403.2	377.8	352.4	327.0	301.6	228.6	355.6	457.2	0.55
330LMM-22	558.8 (22")	479.4	454.0	428.6	403.2	377.8	352.4	254.0	406.4	508.0	0.58
330LMM-24	609.6 (24")	530.2	504.8	479.4	454.0	428.6	403.2	279.4	457.2	558.8	0.61
330LMM-26	660.4 (26")	581.0	555.6	530.2	504.8	479.4	454.0	304.8	508.0	609.6	0.64
330LMM-28	711.2 (28")	631.8	606.4	581.0	555.6	530.2	504.8	330.2	558.8	660.4	0.67

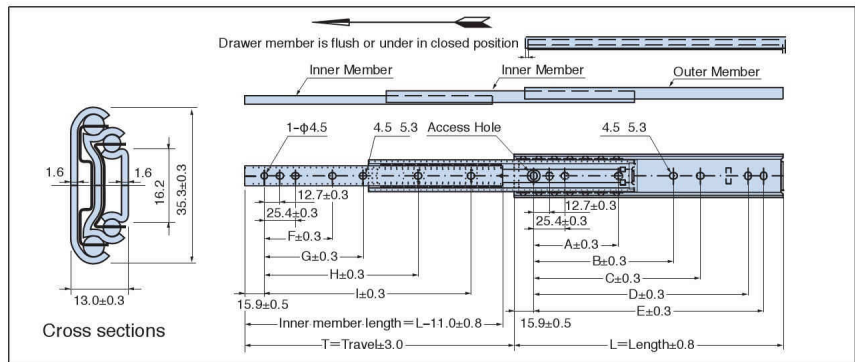
2800 Series

RoHS Compliant

- 3 Member
- 0.4" Over travel

Specification

- Material / SPCC
- Finish / Electro zinc plate with clear
- Slide space / 13.0mm, Height / 35.3mm
- Load rating / 66~75lbs. (30~34kg)
- Mounting hole / 4.5 5.3
- Common in L / R



PART No.	Length L	Travel T	2800 Series Mounting holes (mm)									Slide weight (kg/pc)	Number in a box	Load rating lbs. (kg)/pair	
			A	B	C	D	E	F	G	H	I				
2800N-8	203.2 (8")	214 (8.4")	111.1	-	-	158.7	171.4	50.8	-	-	152.4	-	0.29	30	66(30)
2800N-10	254.0 (10")	265 (10.4")	111.1	-	-	209.5	222.2	101.6	-	-	203.2	-	0.37	30	71(32)
2800N-12	304.8 (12")	316 (12.4")	111.1	-	149.2	260.3	273.0	101.6	-	152.4	254.0	-	0.44	30	71(32)
2800N-14	355.6 (14")	366 (14.4")	111.1	-	200.0	311.1	323.8	101.6	-	203.2	304.8	-	0.52	30	75(34)
2800N-16	406.4 (16")	417 (16.4")	111.1	-	250.8	361.9	374.6	101.6	-	254.0	355.6	-	0.60	30	75(34)
2800N-18	457.2 (18")	468 (18.4")	111.1	212.7	301.6	412.7	425.4	101.6	207.7	304.8	406.4	-	0.68	30	75(34)
2800N-20	508.0 (20")	519 (20.4")	111.1	238.1	352.4	463.5	476.2	101.6	233.1	355.6	457.2	-	0.76	30	75(34)
2800N-22	558.8 (22")	570 (22.4")	111.1	263.5	403.2	514.3	527.0	101.6	258.5	406.4	508.0	-	0.83	30	68(31)
2800N-24	609.6 (24")	620 (24.4")	111.1	288.9	454.0	565.1	577.8	101.6	283.9	457.2	558.8	-	0.92	16	66(30)

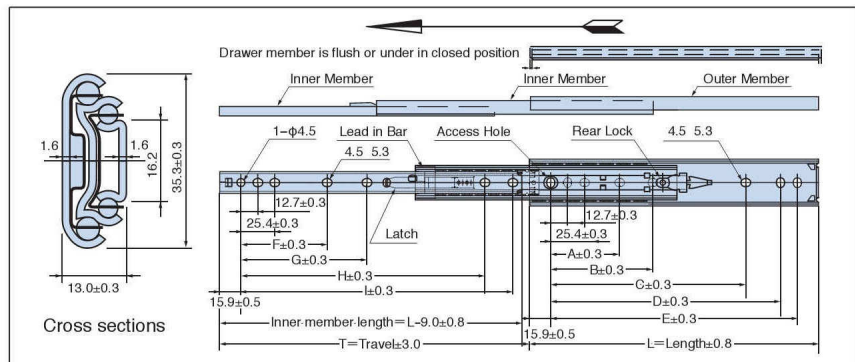
2880 Series

RoHS Compliant

- 3 Member
- Front disconnect
- Detent open

Specification

- Material / SPCC
- Finish / Electro zinc plate with clear
- Slide space / 13.0mm, Height / 35.3mm
- Load rating / 66~75lbs. (30~34kg)
- Mounting hole / 4.5 5.3
- Common in L / R



PART No.	Length L	Travel T	2880 Series Mounting holes (mm)									Slide weight (kg/pc)	Number in a box	Load rating lbs. (kg)/pair
			A	B	C	D	E	F	G	H	I			
2880N-8	203.2 (8")	200 (7.9")	111.1	-	-	158.7	171.4	50.8	-	-	152.4	0.29	30	66(30)
2880N-10	254.0 (10")	250 (9.8")	111.1	-	-	209.5	222.2	101.6	-	-	203.2	0.37	30	71(32)
2880N-12	304.8 (12")	324 (12.8")	111.1	-	-	260.3	273.0	101.6	-	-	254.0	0.44	30	71(32)
2880N-14	355.6 (14")	378 (14.9")	111.1	-	200.0	311.1	323.8	101.6	-	-	304.8	0.52	30	75(34)
2880N-16	406.4 (16")	429 (16.9")	111.1	-	250.8	361.9	374.6	101.6	-	-	355.6	0.60	30	75(34)
2880N-18	457.2 (18")	487 (19.2")	111.1	212.7	301.6	412.7	425.4	101.6	207.7	-	406.4	0.68	30	75(34)
2880N-20	508.0 (20")	530 (20.9")	111.1	238.1	352.4	463.5	476.2	101.6	233.1	355.6	457.2	0.75	30	75(34)
2880N-22	558.8 (22")	581 (22.9")	111.1	263.5	403.2	514.3	527.0	101.6	258.5	406.4	508.0	0.84	30	68(31)
2880N-24	609.6 (24")	632 (24.9")	111.1	288.9	454.0	565.1	577.8	101.6	283.9	457.2	558.8	0.91	16	66(30)

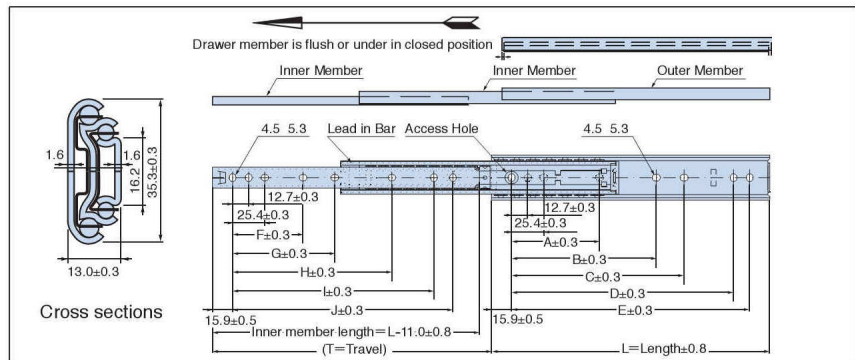
2882 Series

RoHS Compliant

- 3 Member
- 0.4" Over travel
- Front disconnect

Specification

- Material / SPCC
- Finish / Electro zinc plate with clear
- Slide space / 13.0mm, Height / 35.3mm
- Load rating / 66~75lbs. (30~34kg)
- Mounting hole / 4.5 5.3
- Common in L / R



PART No.	Length L	Travel (T)	2882 Series Mounting holes (mm)										Slide weight (kg/pc)	Number in a box	Load rating lbs. (kg)/pair
			A	B	C	D	E	F	G	H	I	J			
2882N-8	203.2 (8")	214 (8.4")	111.1	-	-	158.7	171.4	50.8	-	-	152.4	165.1	0.29	30	66(30)
2882N-10	254.0 (10")	265 (10.4")	111.1	-	-	209.5	222.2	101.6	-	-	203.2	215.9	0.37	30	71(32)
2882N-12	304.8 (12")	316 (12.4")	111.1	-	149.2	260.3	273.0	101.6	-	152.4	254.0	266.7	0.44	30	71(32)
2882N-14	355.6 (14")	366 (14.4")	111.1	-	200.0	311.1	323.8	101.6	-	203.2	304.8	317.5	0.52	30	75(34)
2882N-16	406.4 (16")	417 (16.4")	111.1	-	250.8	361.9	374.6	101.6	-	254.0	355.6	368.3	0.60	30	75(34)
2882N-18	457.2 (18")	468 (18.4")	111.1	212.7	301.6	412.7	425.4	101.6	207.7	304.8	406.4	419.1	0.68	30	75(34)
2882N-20	508.0 (20")	519 (20.4")	111.1	238.1	352.4	463.5	476.2	101.6	233.1	355.6	457.2	469.9	0.75	30	75(34)
2882N-22	558.8 (22")	570 (22.4")	111.1	263.5	403.2	514.3	527.0	101.6	258.5	406.4	508.0	520.7	0.84	30	68(31)
2882N-24	609.6 (24")	620 (24.4")	111.1	288.9	454.0	565.1	577.8	101.6	283.9	457.2	558.8	571.5	0.91	16	66(30)

3800 Series

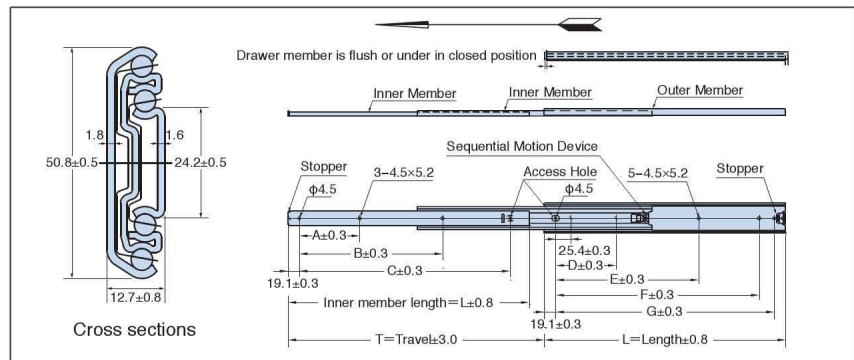
RoHS Compliant

- 3 Member
- 1" Over travel
- With Sequential Motion (in front direction)
- Bumper

Long size available

Specification

- Material / SPCC
- Finish / Electro zinc plate with clear
- Slide space / 12.7mm, Height / 50.8mm
- Load rating / 137~159lbs. (62~72kg)
- Mounting hole / $\phi 4.5$, 4.5x5.2
- Common in L / R



PART No.	Length L	Travel T	3800 Series Mounting holes (mm)							Slide weight (kg/pc)	Number in a box	Load rating lbs. (kg)/pair
			A	B	C	D	E	F	G			
3800-12	304.8(12")	330.2(13")	76.2	177.8	254.0	88.9	177.8	241.3	266.7	0.67	20	139(63)
3800-14	355.6(14")	381.0(15")	101.6	215.9	304.8	101.6	215.9	292.1	317.5	0.78	20	141(64)
3800-16	406.4(16")	431.8(17")	114.3	241.3	355.6	127.0	241.3	342.9	368.3	0.89	16	146(66)
3800-18	457.2(18")	482.6(19")	139.7	279.4	406.4	139.7	279.4	393.7	419.1	1.00	16	148(67)
3800-20	508.0(20")	533.4(21")	152.4	317.5	457.2	152.4	317.5	444.5	469.9	1.12	14	155(70)
3800-22	558.8(22")	584.2(23")	177.8	355.6	508.0	177.8	342.9	495.3	520.7	1.23	14	159(72)
3800-24	609.6(24")	635.0(25")	190.5	381.0	558.8	190.5	381.0	546.1	571.5	1.34	10	152(69)
3800-26	660.4(26")	685.8(27")	203.2	419.1	609.6	203.2	419.1	596.9	622.3	1.45	10	141(64)
3800-28	711.2(28")	736.6(29")	228.6	457.2	660.4	228.6	444.5	647.7	673.1	1.56	10	137(62)

3880 Series

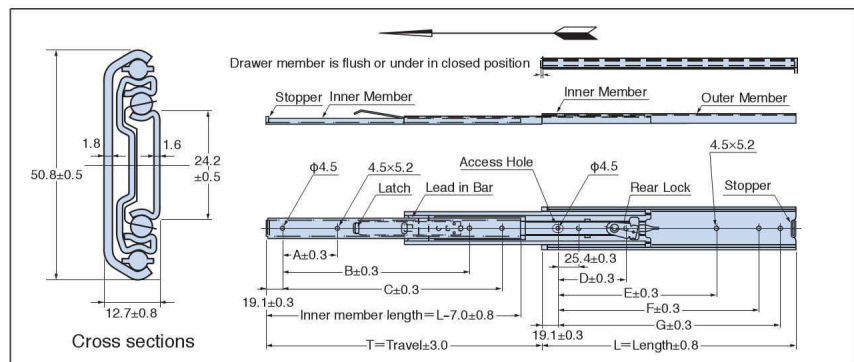
RoHS Compliant

- 3 Member
- 1" Over travel
- Front disconnect
- Detent open

Long size available

Specification

- Material / SPCC
- Finish / Electro zinc plate with clear
- Slide space / 12.7mm, Height / 50.8mm
- Load rating / 137~159lbs. (62~72kg)
- Mounting hole / $\phi 4.5$, 4.5x5.2
- Common in L / R



PART No.	Length L	Travel T	3880 Series Mounting holes (mm)							Slide weight (kg/pc)	Number in a box	Load rating lbs. (kg)/pair
			A	B	C	D	E	F	G			
3880-12	304.8(12")	330.2(13")	76.2	-	228.6	-	139.7	241.3	266.7	0.70	20	139(63)
3880-14	355.6(14")	381.0(15")	101.6	-	279.4	101.6	215.9	292.1	317.5	0.82	20	141(64)
3880-16	406.4(16")	431.8(17")	114.3	-	330.2	127.0	241.3	342.9	368.3	0.93	16	146(66)
3880-18	457.2(18")	482.6(19")	139.7	292.1	381.0	139.7	279.4	393.7	419.1	1.04	16	148(67)
3880-20	508.0(20")	533.4(21")	152.4	317.5	431.8	152.4	317.5	444.5	469.9	1.16	14	155(70)
3880-22	558.8(22")	584.2(23")	177.8	355.6	482.6	177.8	342.9	495.3	520.7	1.27	14	159(72)
3880-24	609.6(24")	635.0(25")	190.5	381.0	533.4	190.5	381.0	546.1	571.5	1.38	10	152(69)
3880-26	660.4(26")	685.8(27")	203.2	419.1	584.2	203.2	419.1	596.9	622.3	1.49	10	141(64)
3880-28	711.2(28")	736.6(29")	228.6	457.2	635.0	228.6	444.5	647.7	673.1	1.60	10	137(62)